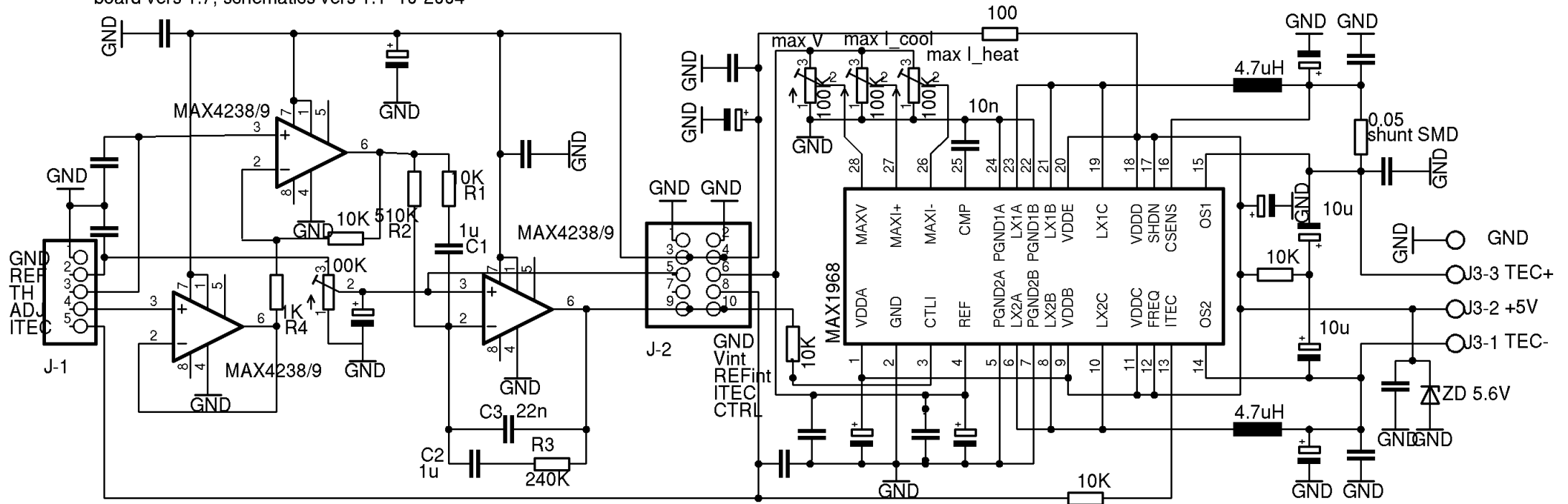


MAX1968 based TEC driver for KTP/RES

perso.wanadoo.fr/redlum.xohp
board vers 1.7, schematics vers 1.1 10-2004



 100n
  1-10u
 unless specified
 R1-R4, C1-C3 see text