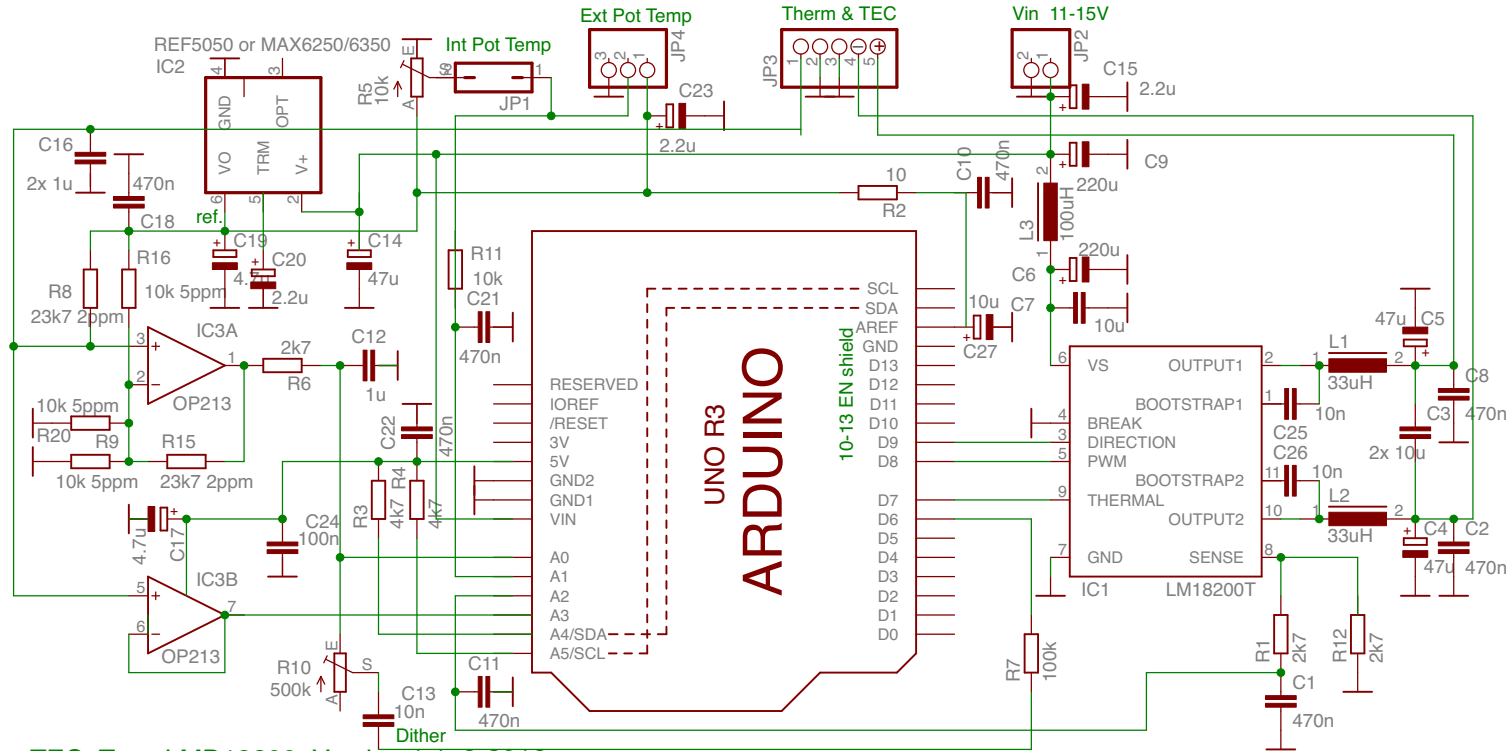


Precision TEC Controller as Arduino shield

R.X. 2016 <http://hololaser.kwaoo.me>



ArduinoTEC, Type LMD18200, Version 1.1 9-2016

Range=15-23C, Therm=10k@25C